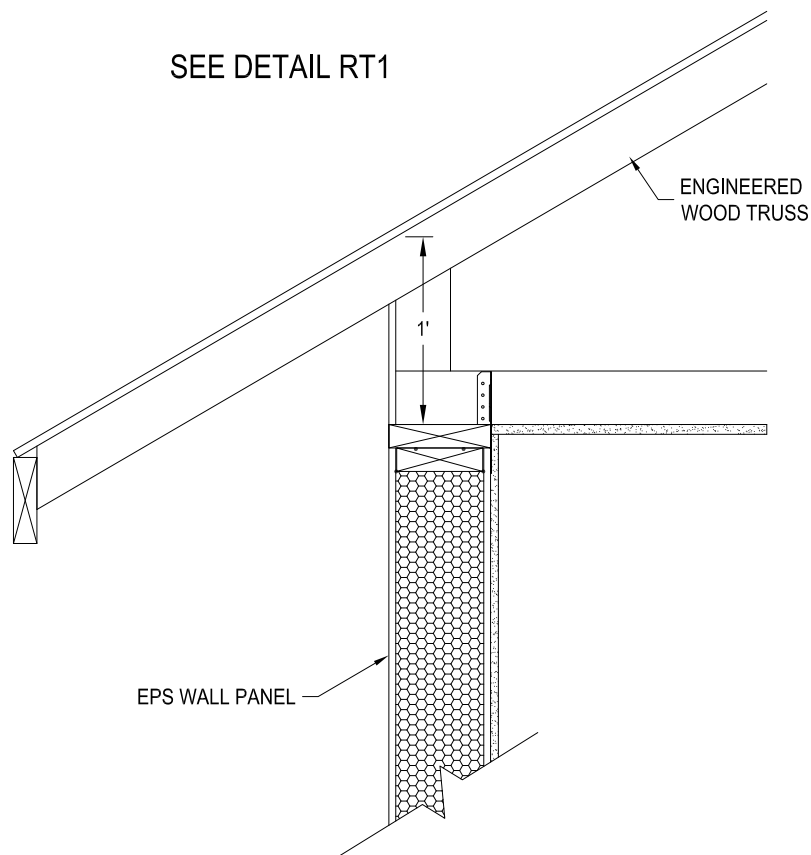


IX. Roof Trusses

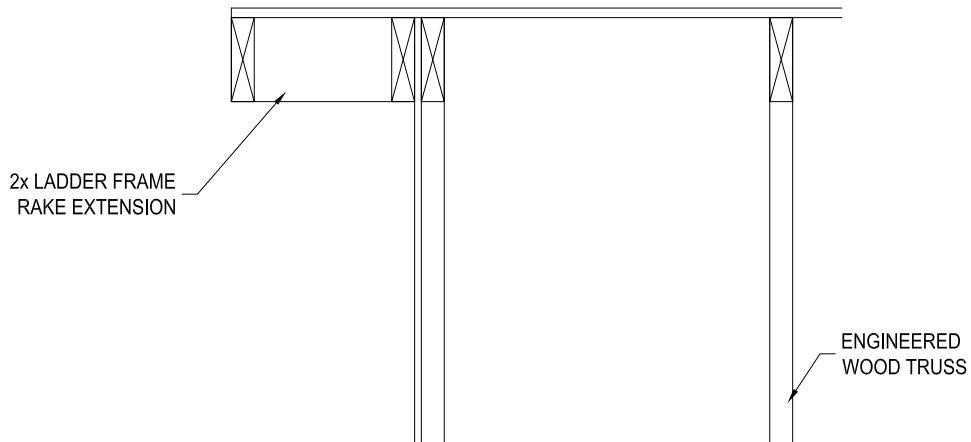
Along with roof panels, EPS also manufactures roof trusses. In many cases roof trusses may be a better option than roof panels. EPS standard roof truss features a 12" energy heel for optimal energy efficiency. Trusses are held back 1/2" to allow for the truss tails to be sheathed. Roof sheathing options are OSB and CDX with thicknesses of 1/2" and 5/8". Two options exist for the gable end rake extension, either a ladder framed overhang or an out-looker overhang with a dropped gable truss.

Eave overhang detail:



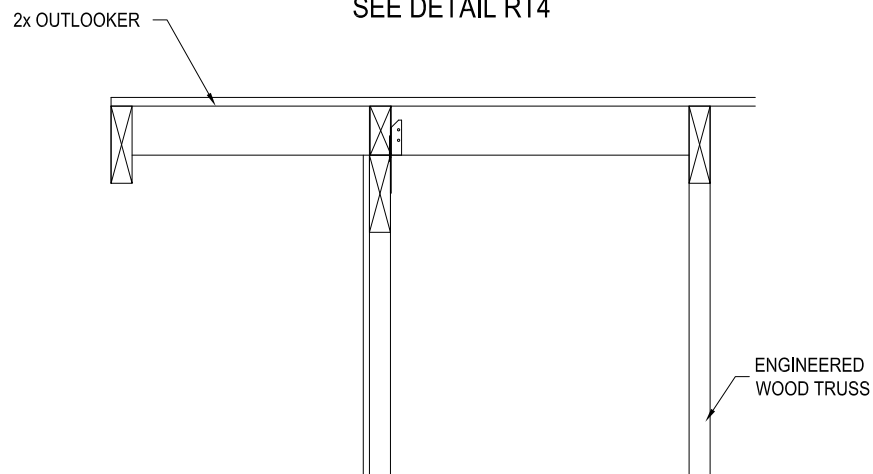
Ladder framed rake detail:

SEE DETAIL RT3



Out-looker framed rake detail:

SEE DETAIL RT4



The contractor shall be familiar with the Building Component Safety Information (BCSI) manual. A BCSI manual is available from EPS upon request. Sections B1, B2 and B3 will be provided with all construction prints. It is the contractor's responsibility to read and understand this manual. EPS will provide all permanent bracing material. The contractor is responsible for all temporary shoring and bracing.