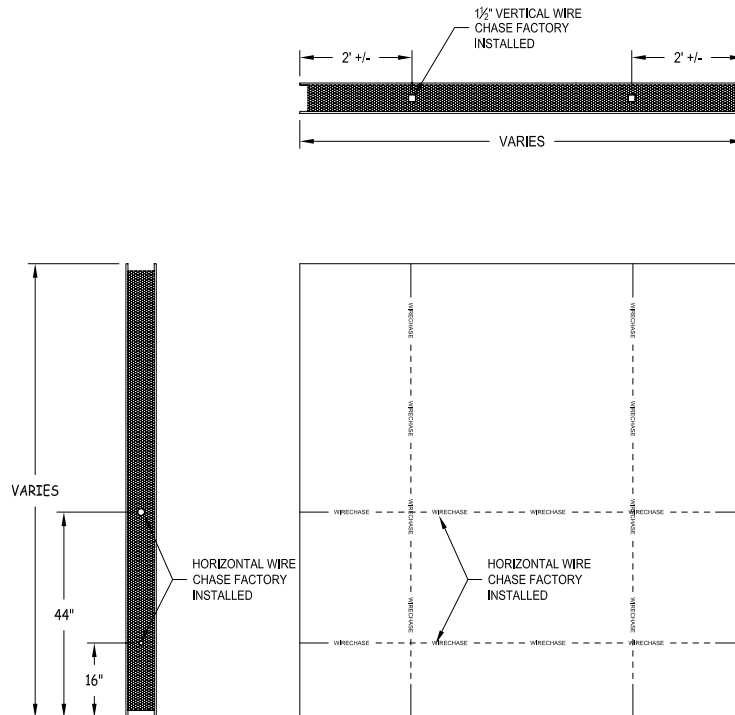


XI. Wiring & Plumbing

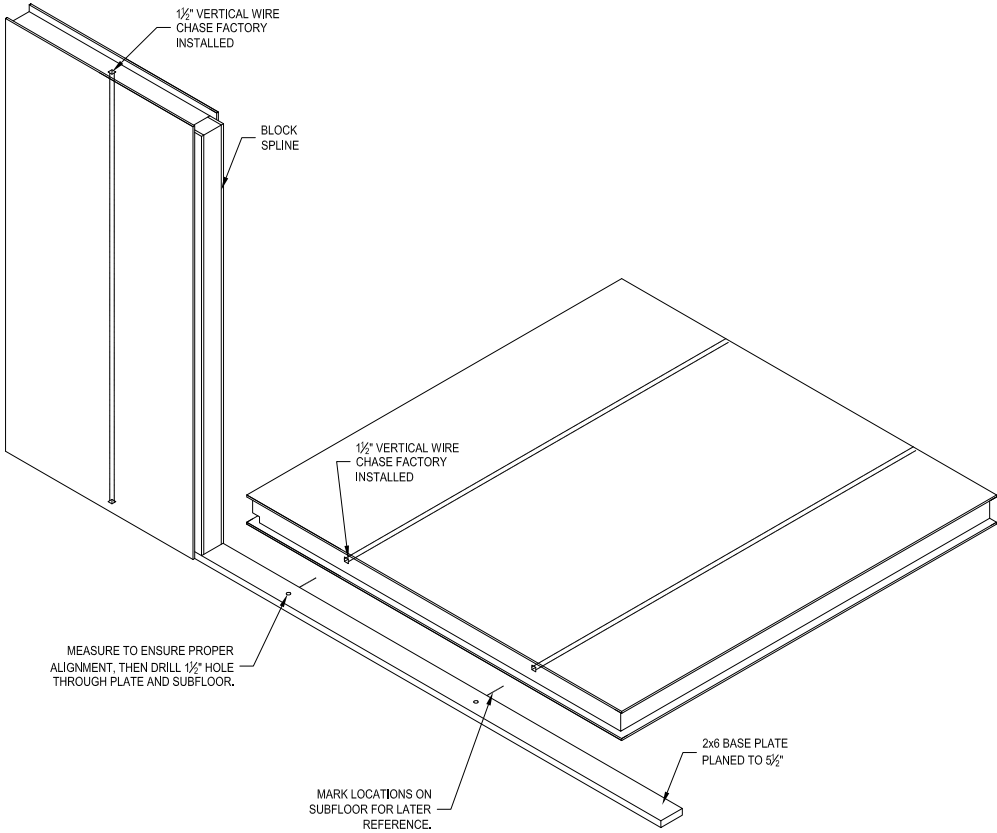
a. Wire Chases

Wire chases are factory installed into every EPS panel unless otherwise noted. Vertical wire chases are installed approximately 4' O.C. with an optional horizontal wire chase at 16" and/or 44" off the floor. Vertical wire chases are provided within 8" of door openings.



The wire chases will be marked on both panel skins with a black marker at both vertical and horizontal locations. If the chase is not marked be sure to mark it before the panel is installed.

Before the panels are installed, take a few minutes to mark the subfloor and drill 1 1/2" access holes through the base plates and subfloor. These few minutes may save hours later on. Once the panels are installed a 1 1/2" hole will also need to be drilled through the top plates.

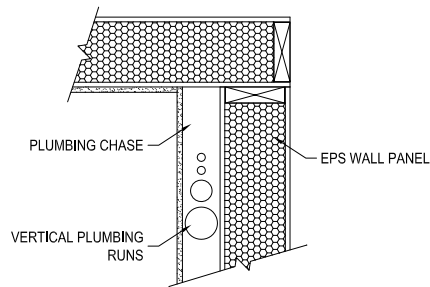
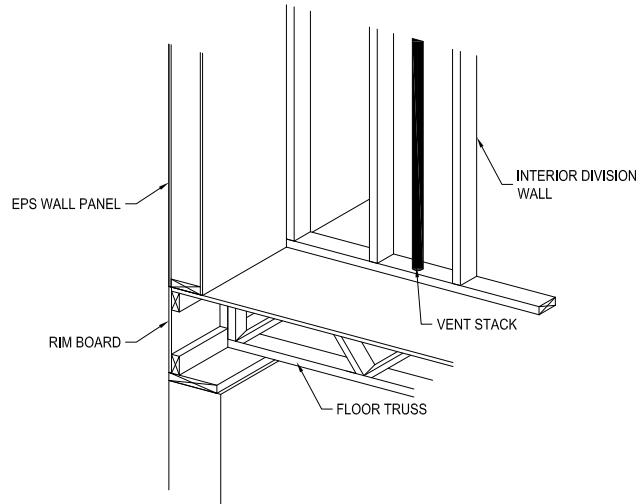


b. Boxes

Electrical boxes may be cut into the interior skin by using a router, or a hole saw. A retro fit electric box may be used to fasten the box in the center of a panel. If the box is next to a stud or column spline then the box can be fastened to the lumber.

c. Plumbing

Running plumbing lines through SIP walls is not recommended. Plumbing lines and vertical vents should be run through interior walls or through plumbing chases.



When using EPS roof panels, vertical vent stacks will need to be cut through the roof panel. Unsupported roof penetrations are allowed up to 12". Anything larger will require engineered supports within the panel.

